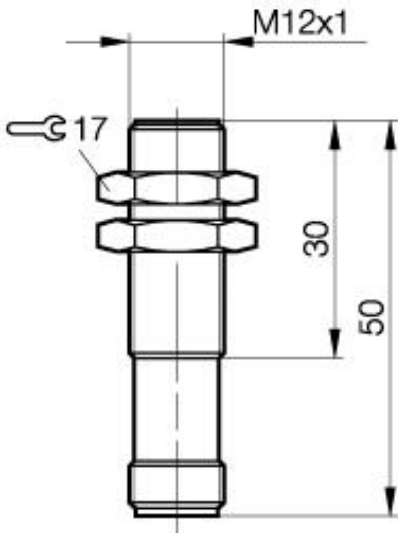


Inductive Sensors
BES 515-325-E5-T-S 4
M12x1 x 50
normally-open
Sn=2mm
shielded



PX0623

Common Data

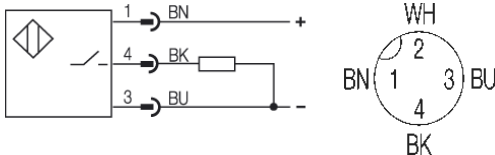
Product name	Proxinox shielded
Mounting in steel	2mm
Rated operating distance Sn	0...1.6mm
Assured operating distance Sa	≤ 5%
Repeatability R	≤ 15%
Hysteresis	-40...+105°C
Ambient temperature range	3
Polution Degree	≤ 50ms
Time delay before availability	

Mechanical Data

Measurements BxHxT or DxT	M12x1 x 50mm
Housing material	1.4571
Material of sensing face	PAI
Degree of protection	IP68 acc. BWN Pr 27IP
Connection	Connector S4 (M12)
Shock: Halfsinus, 30 gn, 11ms	
Vibration: 55 Hz, 1mm Amplitude, 3 x 30 Minutes	

Electrical Data

Current type	DC
Wiring	3-Wire
switching function	normally-open
Output signal	PNP
Rated operational voltage	24 DCV
Rated operational current	130mA
Supply voltage	10...30 DCV
Ripple	≤ 15%
max. switching frequency	800Hz
No-load supply current	≤ 25/≤ 12mA
Off-state current	≤ 80µA
Voltage drop	≤ 3.5V
Short circuit protection	yes
Protected against polarity reversal	yes



Utilization categories
 Insulation class

DC 13

Datasheet number:

Definitions see general catalog.
 If not otherwise noted, ratings according to IEC 60947-5-2 (DIN EN60947-5-2)

Balluff GmbH
 Schurwaldstrasse 9
 73765 Neuhausen a.d.F.
 Phone (07158) 173-0 Fax (07158) 5010

Datenblatt by CD-ROM - 04/2007

